

NEW

ME12/MBA15S

LED BEACONS

● Mini Type of High Illumination and Energy Saving LED Beacons

ME12-R



ME12-O



ME12-W



ME12-BL



ME12-G



ME12-Y



MBA15S-R



MBA15S-O



MBA15S-W



MBA15S-BL



MBA15S-G



MBA15S-Y



E12/BA15S Copper & Nickel Socket

Input Voltage Options: DC/AC12V, DC/AC24V, AC110V & AC220V



MACK

www.mackelectrical.com

MACK ENTERPRISE CO., LTD.

FEATURES

- ✓ Low Consumption and Energy Saving
- ✓ High Illumination
- ✓ Input Voltage Options: DC/AC12V, DC/AC24V, AC110V & AC220V

TECHNICAL DATA

PARAMETER	ME12/MBA15S-R	ME12/MBA15S-O	ME12/MBA15S-G	ME12/MBA15S-BL	ME12/MBA15S-W	ME12/MBA15S-Y
Input Voltage Options	AC/DC12V, AC/DC24V, AC110V & AC220V					
Power	3.5W (Max.)					
Module Colors	R	O	G	BL	W	Y
Illumination	8 LEDs (5mm)					
LED Lifetime(H)	100,000					
Operating Temperature Range	-20°C ~ +70°C					
Weight	9g					

ORDERING

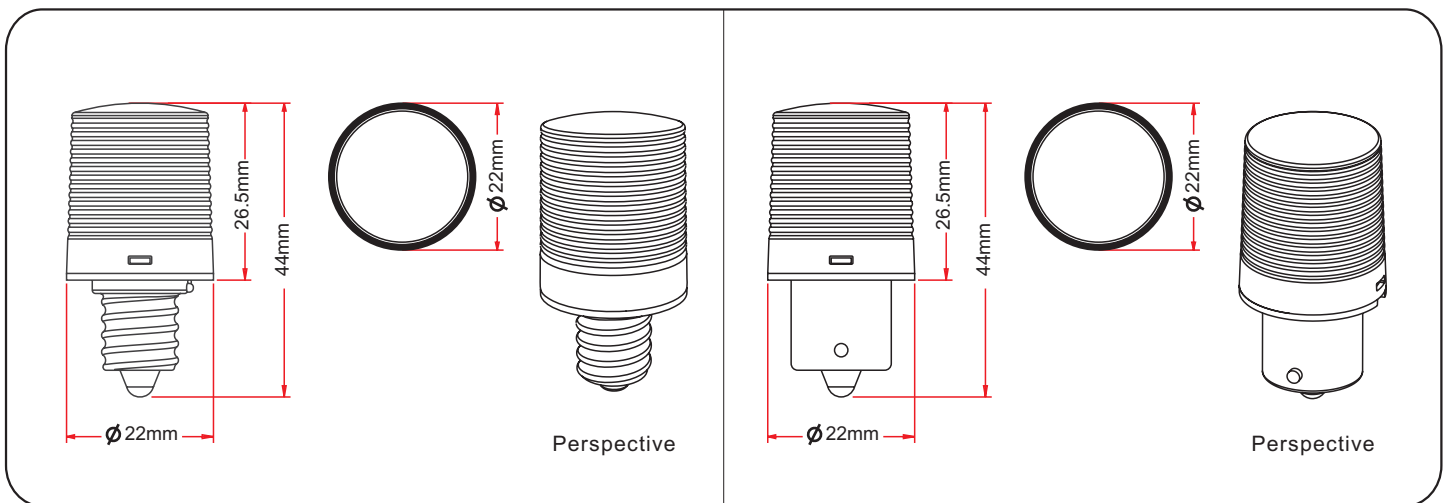
ME12- R.O.G.BL.W.Y-1

• Rated Voltage: AC/DC12V, AC/DC24V, AC110V & AC220V

• Colors: R O G BL W Y

• Model Name: { ME12 -----Socket Standard for E12
MBA15S-----Socket Standard for BA15S

APPEARANCE AND INSTALLATION SIZE



Factory Headquarters

78 Zhao Shang Avenue, ZhangZhou Development Zone, ZhangZhou, 363105, P.R.C.

Tel: +86 596 685 1990 Fax: +86 596 685 1992

E-mail: sales@mackelectrical.com